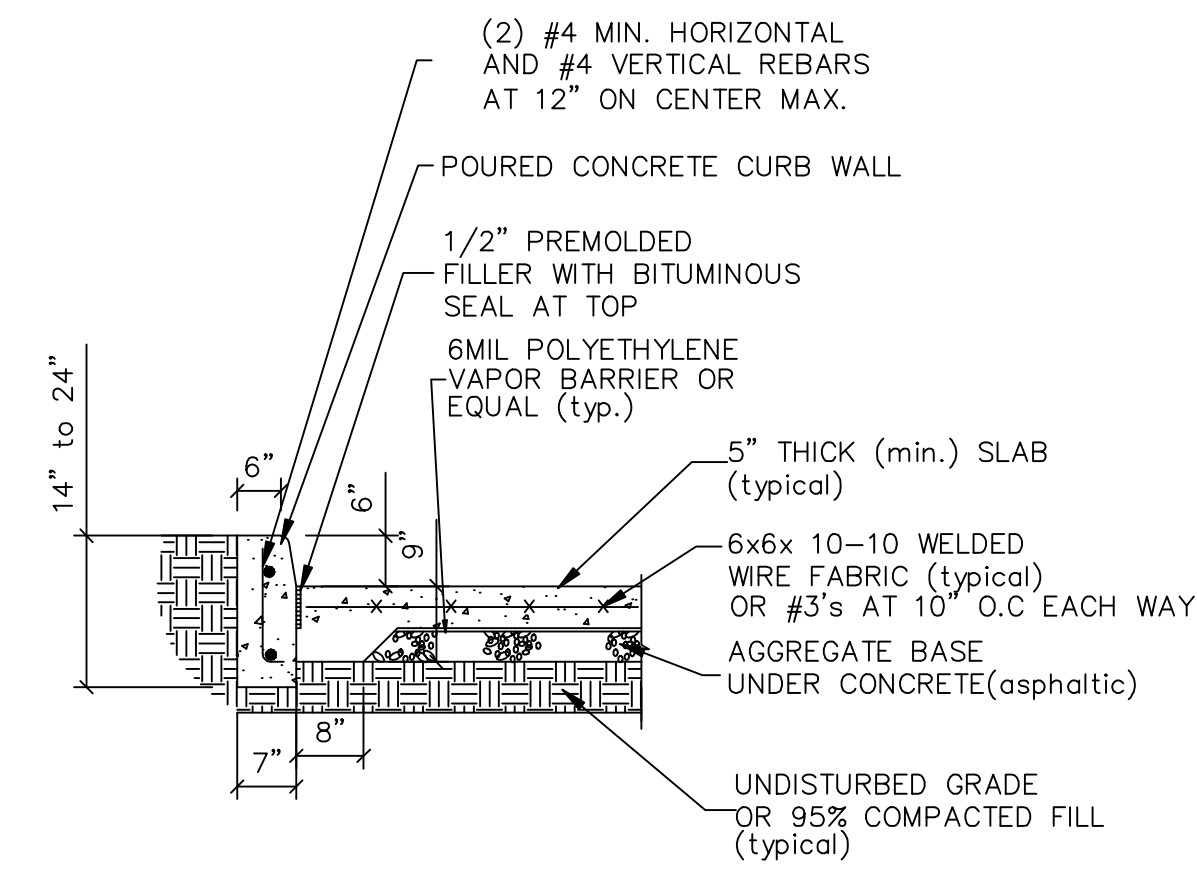
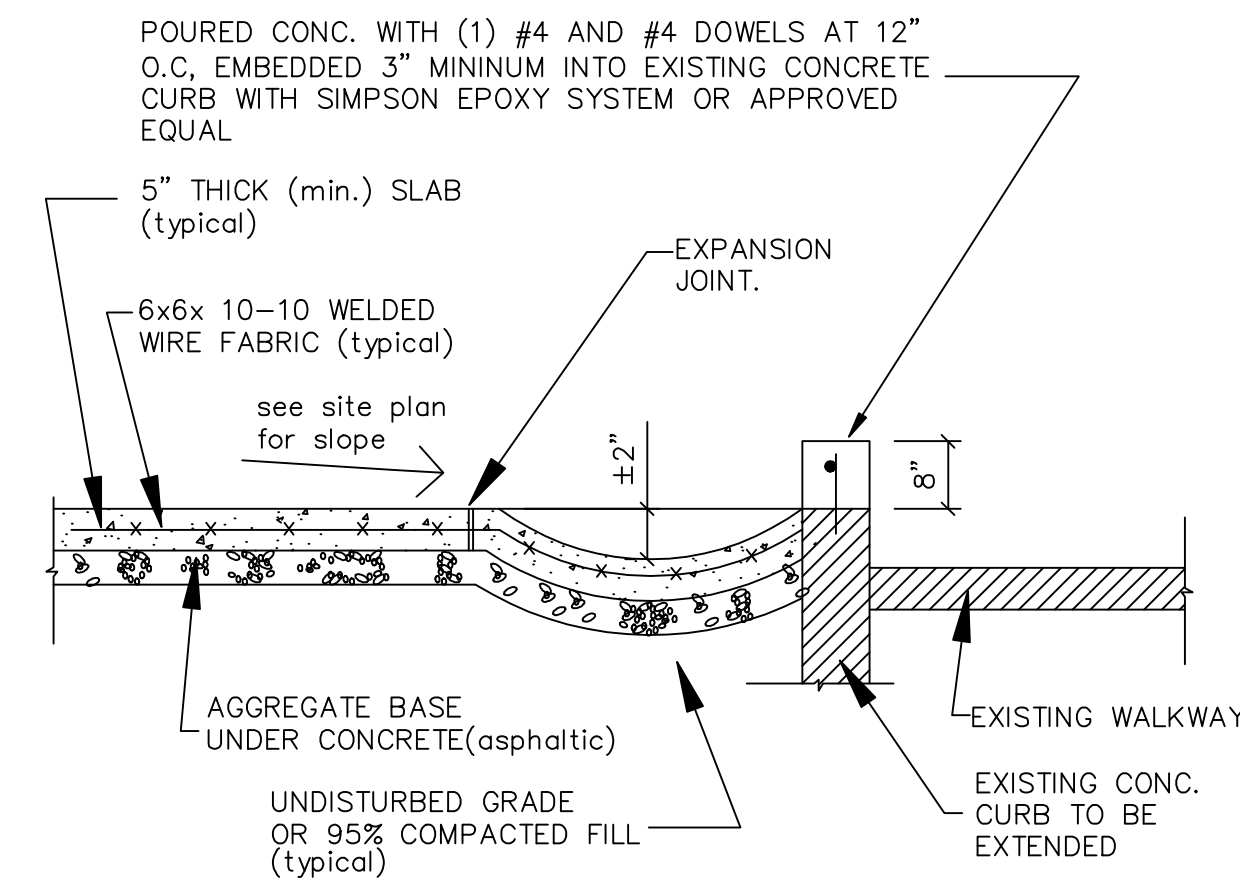


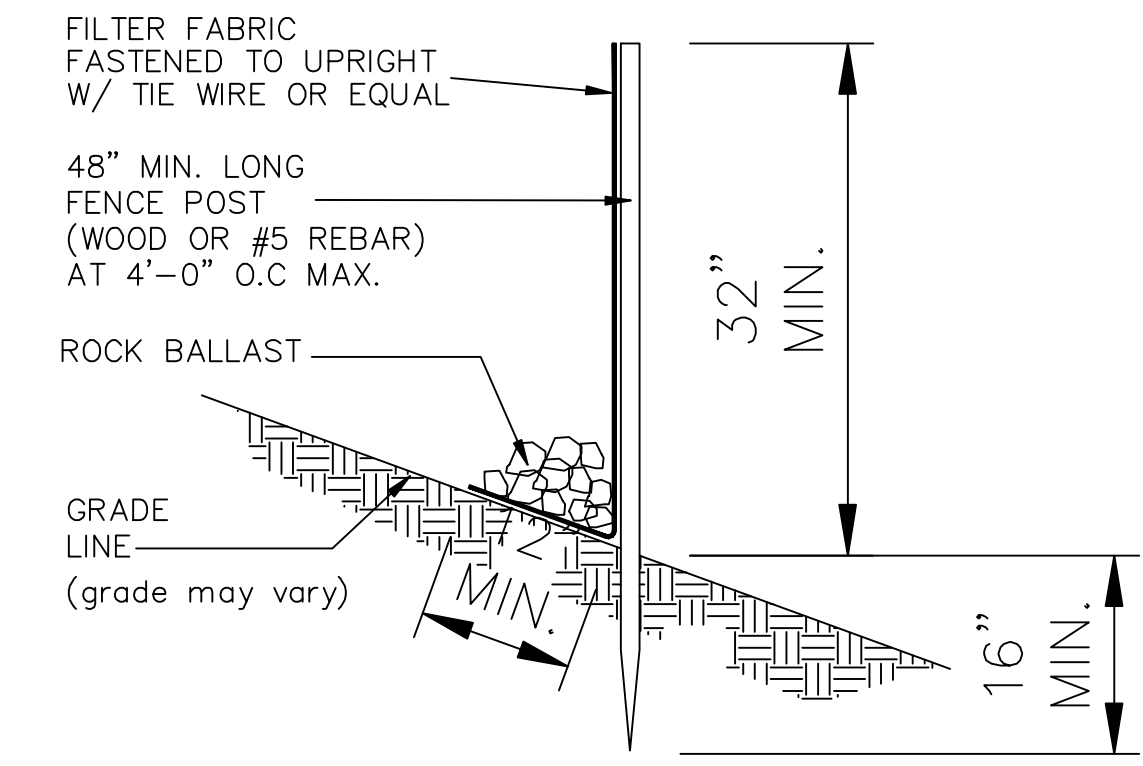
2 SEPERATE CONCRETE CURB AND NEW CONCRETE SLAB FOR JROTC DRILL TRAINING
NTS



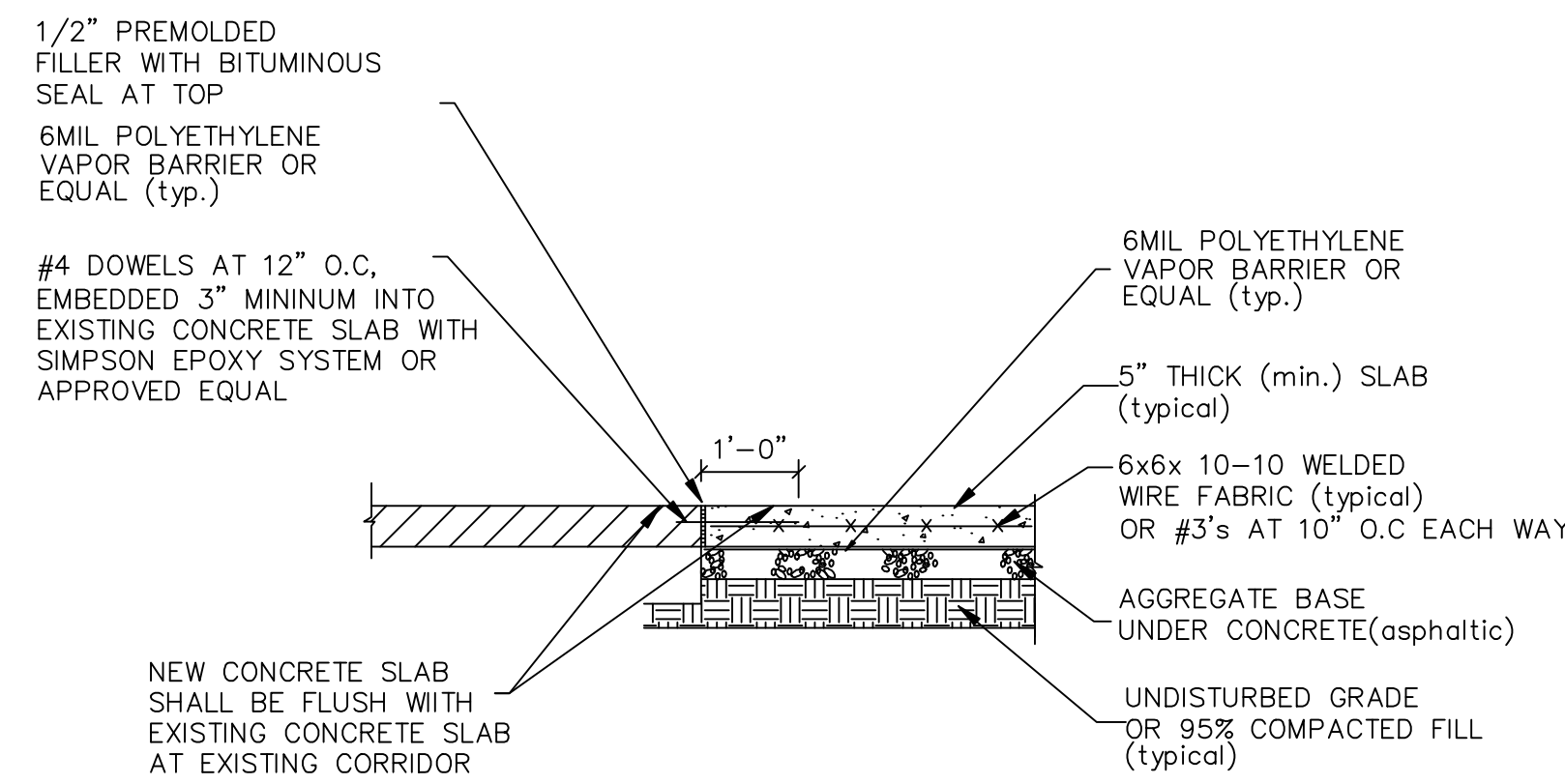
3 SEPERATE CONCRETE CURB AND NEW CONCRETE SLAB FOR JROTC DRILL TRAINING
NTS



4 NEW WALK/DRIVE WAY /SWALE DETAIL IF REQUIRED
NTS



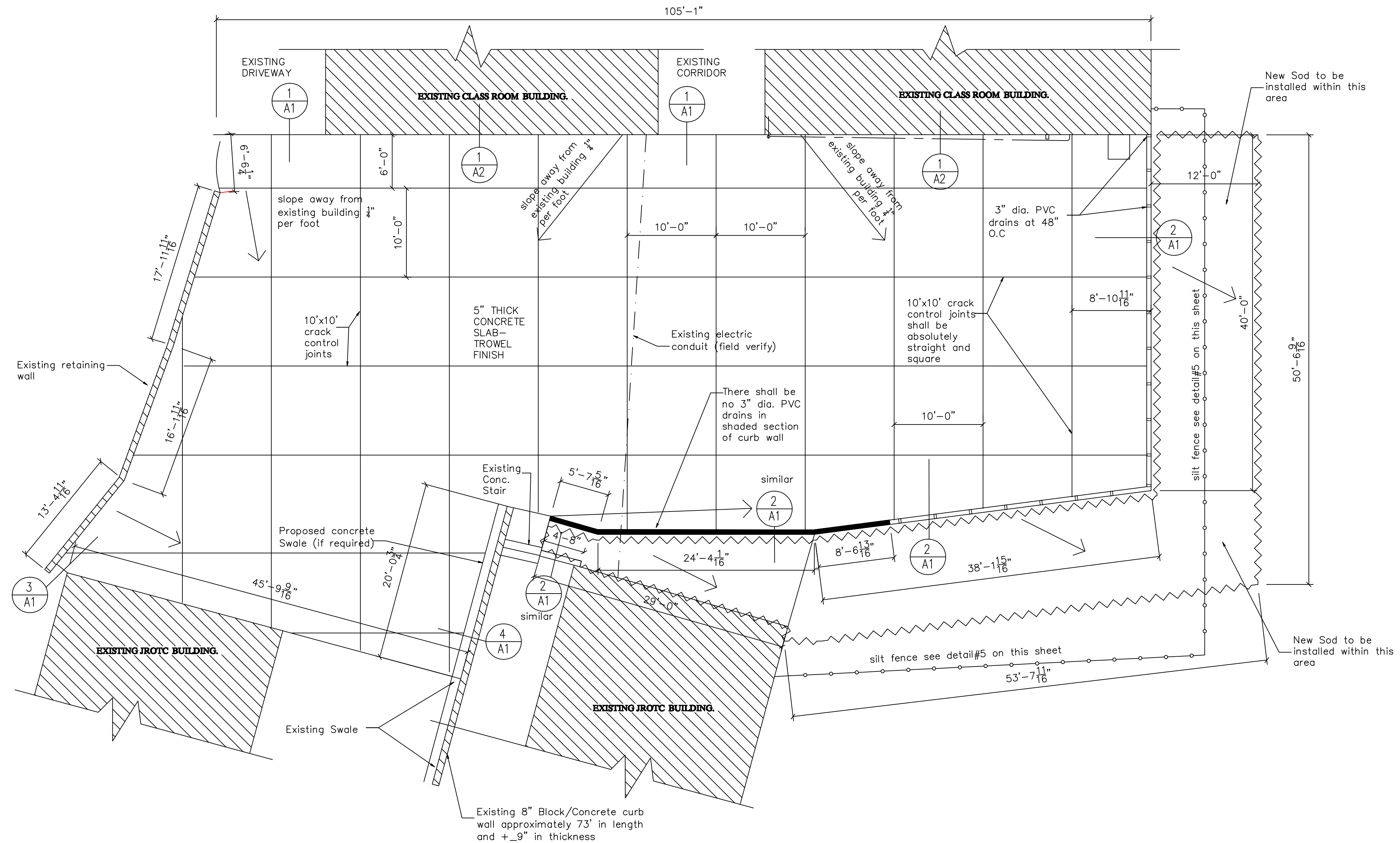
5 SILT FENCE DETAIL
NTS



1 DETAIL AT EXISTING CORRIDOR CONC. SLAB AND NEW CONCRETE SLAB FOR JROTC DRILL TRAINING
NTS

EARTH CHANGE NOTES

1. Site disturbance shall be limited to the nearest proximity to the area(s) to be disturbed by construction activity.
2. No excessive cut and fill is expected or required during excavation.
3. All top soil from the disturbed site area shall be striped, stockpiled, protected and covered for later use.
4. Low maintenance ground covering such as wadilla, or ground orchid shall be planted on cut and fill as required.
5. Silt fence or earth berms shall be erected or installed to help prevent erosions or runoff during construction.
6. Contrator shall set footings on solid undisturbed soil or 95% compacted soil.
7. Contractor shall take special precautions during excavation as to avoiding any damage to unseen electric, sewer, water lines etc.
8. Contractor shall dispose all construction or excavation debris as per VI Building Code
9. Contractor shall water grass seeds or Bermuda grass sods as per producer's specifications



Proposed JROTC Drill Training Site Layout

SCALE: 1/8"=1'-0"

NOTE: Contractor shall field verify all dimensions elevation, quantity and conditions prior to final submission

Deferred Maintenance Repair Program

DMRP Program
Approved DOI-IOA
ABC Initiative Work Plan

NO.	DATE	REVISIONS	
		REMARKS	

Proposed IEKHS-JROTC Drill Training Site

IVANNA EUDORA KEAN HIGH SCHOOL
Parcel No. 1&2 Nazareth, St. Thomas, USVI

DRAWN BY:

CHECKED BY:

APPROVED BY:

CONTRACT NO.:

PROJECT NO.:

DATE:

SHEET NO: **A1**

SHEET NO. OF SHEETS